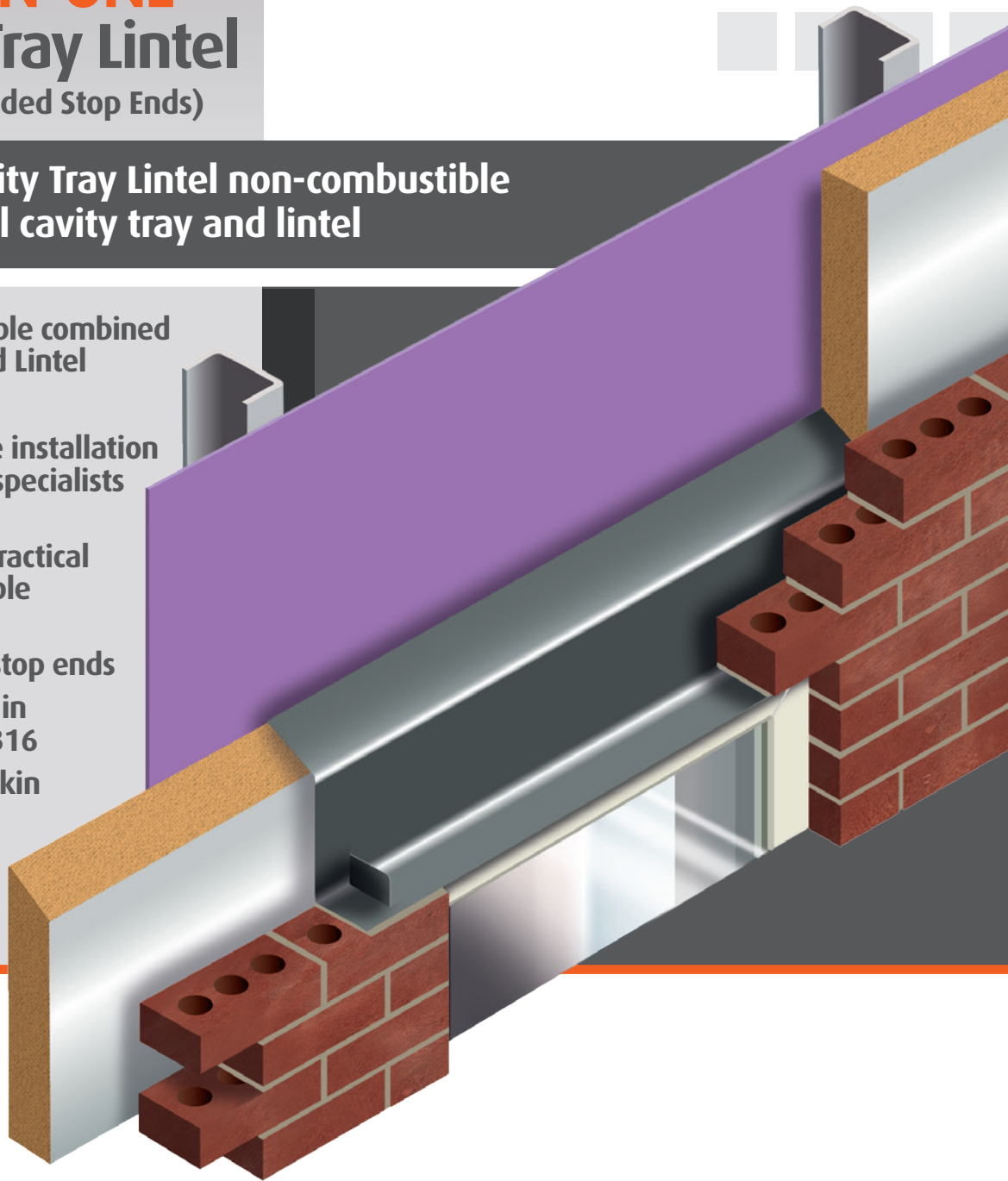


Miers CTL
ALL-IN-ONE
Cavity Tray Lintel
(50mm Welded Stop Ends)

Miers CTL Cavity Tray Lintel non-combustible stainless steel cavity tray and lintel

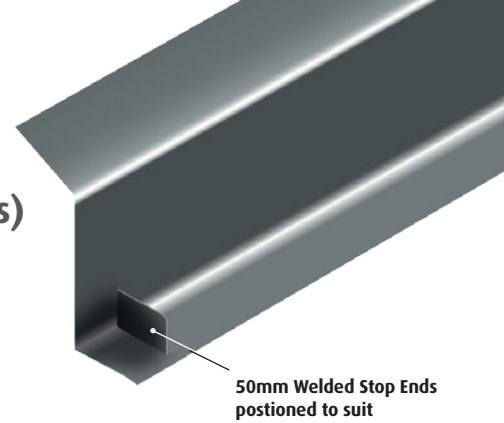
- Non-combustible combined Cavity Tray and Lintel
- Easy to order
- Quick & simple installation no additional specialists skills required
- Efficient and practical non-combustible cavity solution
- Welded fixed stop ends
- Stainless steel in grades 304 / 316
- To suit single skin steel frame masonry
- Specials available



Improving choice, quality and service

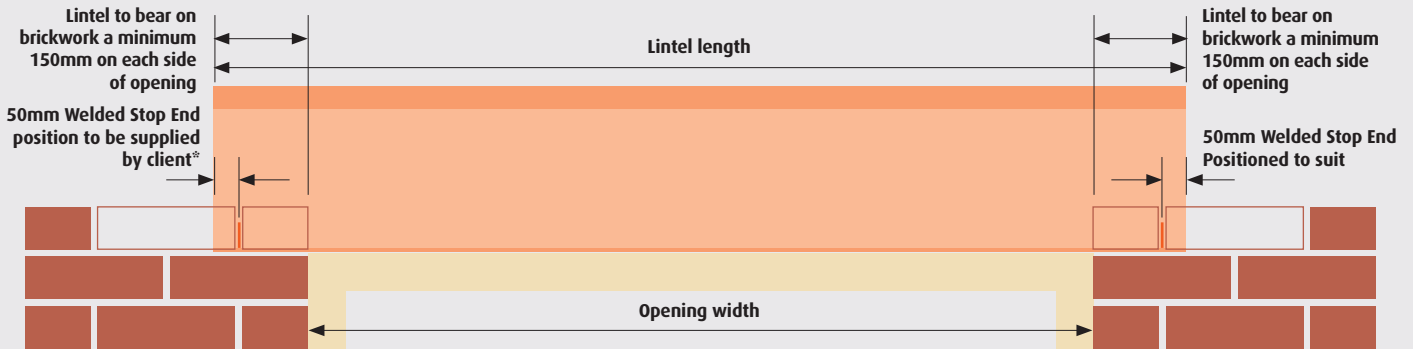
Miers CTL **ALL-IN-ONE** Cavity Tray Lintel (50mm Welded Stop Ends)

The Miers CTL ALL-IN-ONE Cavity Tray Lintel combines a cavity tray with a lintel. The CTL is designed to support a single skin of masonry. It comes complete with 50mm Welded Stop Ends, positioned to suit your requirements.



Ordering

Easy to order, we need to know the opening width, cavity size, 50mm welded stop end position and quantities you require. Lintels can be supplied in grade 304 / 316 to suit your project requirements.



When ordering your CTL lintel, please reference as follows;

CTL REF/CAVITY/LENGTH

FOR EXAMPLE

CTL2 / 200 / 1600

CTL REF CAVITY (mm) LENGTH (mm)

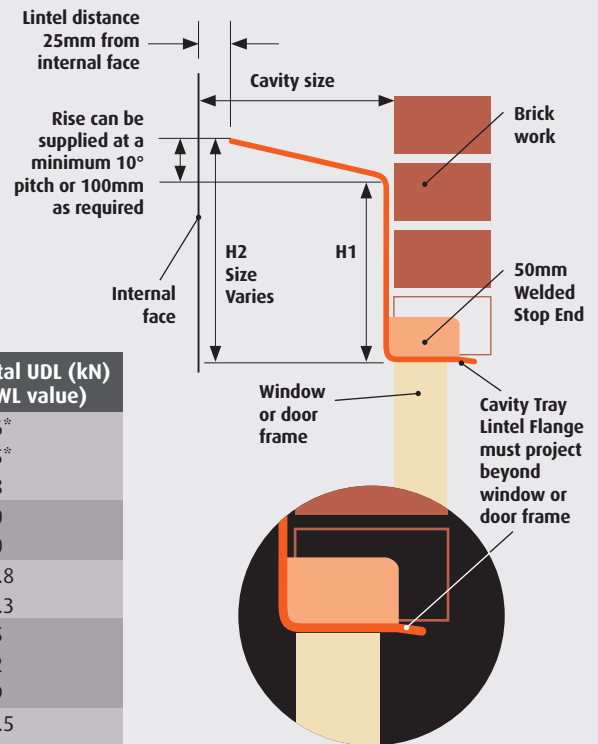
The standard lintel range can be manufactured and supplied in increments of 100mm to suit the maximum opening widths below.

For specials contact

technical@miersconstructionproducts.co.uk

Lintel Reference	Opening Widths (mm)	Lintel Length (mm)	Lintel H1 (mm)	Lintel H2	Total UDL (kN) (SWL value)
CTL1	500 - 800	800 - 1100	125		2.6*
	800 - 1000	1100 - 1300			5.5*
	1000 - 1200	1300 - 1500			6.8
CTL2	1100 - 1300	1400 - 1600	160		7.0
	1300 - 1500	1400 - 1800			8.0
CTL2 Heavy	1100 - 1300	1400 - 1600	160		14.8
	1300 - 1500	1600 - 1800			16.3
CTL3	1400 - 1600	1700 - 1900	205	Varies (dependant on cavity width, slope always 10°)	8.5
	1600 - 1800	1900 - 2100			9.2
	1800 - 2100	2100 - 2400			9.9
CTL3 Heavy	1400 - 1600	1700 - 1900	205		18.5
	1600 - 1800	1900 - 2100			20.0
	1800 - 2100	2100 - 2400			19.0
CTL4	2000 - 2300	2300 - 2600	230		18.9
	2300 - 2600	2600 - 2900			17.7
	2600 - 2900	2900 - 3200			17.2
	2900 - 3200	3200 - 3500			16.0
CTL4 Heavy	2000 - 2300	2300 - 2600	230		26.4
	2300 - 2600	2600 - 2900			24.3
	2600 - 2900	2900 - 3500			22.9
	2900 - 3200	3200 - 3500			22.3

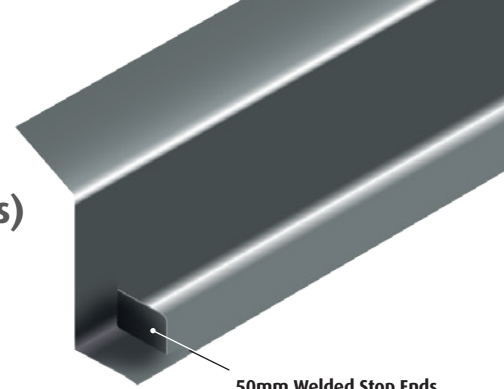
*SWL value limited to meet the deflection requirements. If neglected the SWL value of 6kN can be applied.



Note: Can be supplied with or without drip to front edge

Miers CTL **ALL-IN-ONE** Cavity Tray Lintel (50mm Welded Stop Ends)

The Miers CTL ALL-IN-ONE Cavity Tray Lintel combines a cavity tray with a lintel. The CTL is designed to support a single skin of masonry. It comes complete with 50mm welded stop ends, positioned to suit your requirements.



50mm Welded Stop Ends positioned to suit

Installation

Quick and simple installation no additional specialists skills required. During installation the Miers CTL Cavity Tray Lintel should be adequately propped to ensure correct loads will be achieved. The Miers CTL Cavity Tray Lintel is bedded into mortar, with a minimum brickwork overlap of 150mm. The flange must project beyond the window or door frame.

Once installed wall ties should be installed at a maximum of 300mm vertically above the lintel and at 450mm maximum horizontal centres.

Accreditations



Nationwide Depots

Airdrie	t 01236 541130
Birmingham	t 0121 2893 293
Bordon	t 01420 200 121
Bristol	t 0117 375 1230
Haydock	t 01925 202 128
Huntingdon	t 01480 702222
Launceston	t 01566 721011



Construction Products Ltd

Head Office

Hawkesden Road, St Neots, Cambs PE19 1QS
t 01480 702222
f 01480 702223

e sales@miersconstructionproducts.co.uk
www.miersconstructionproducts.co.uk