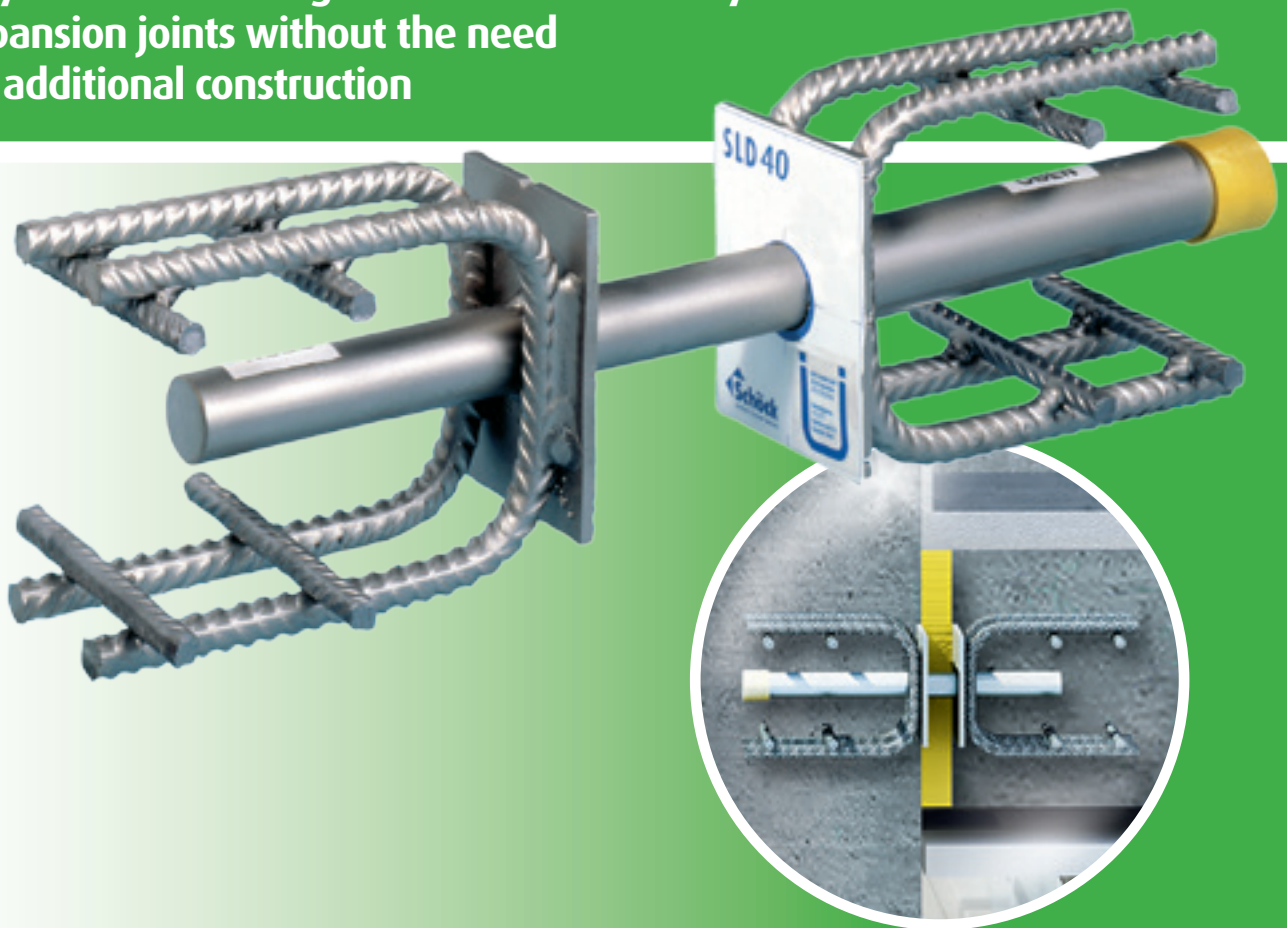


Schöck Dowel Shear load connectors

Schöck Shear load connectors are a cost effective way to ensure the highest levels of reliability for expansion joints without the need for additional construction



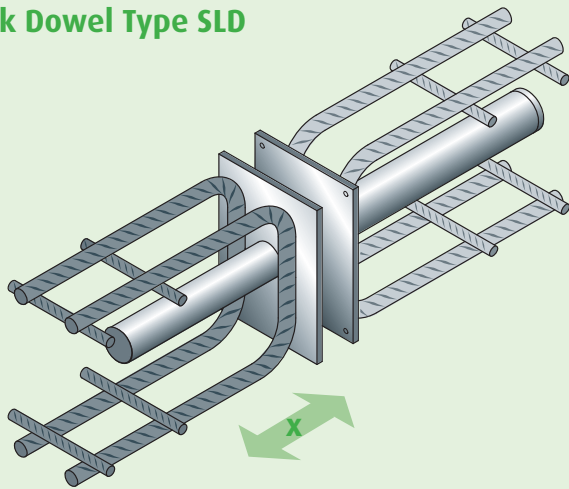
Improving choice, quality and service

Schöck Dowel Shear load connectors

All types at a glance

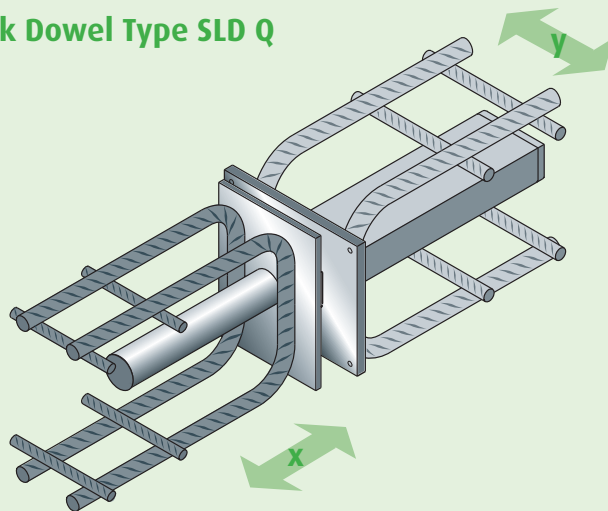
Heavy Duty Dowel SLD

Schöck Dowel Type SLD



- Heavy duty dowel for the transfer of large shear forces
- Movable in x-direction
- Stainless steel
- Eurocode compliant

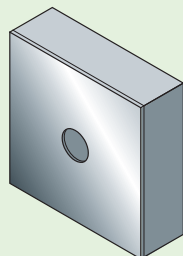
Schöck Dowel Type SLD Q



- Heavy duty dowel for the transfer of large shear forces
- Movable in x-direction, in y-direction $\pm 15\text{mm}$
- Stainless steel
- Eurocode compliant

Accessories for Heavy Duty Dowel SLD

Schöck fire protection collar SLD-BSM

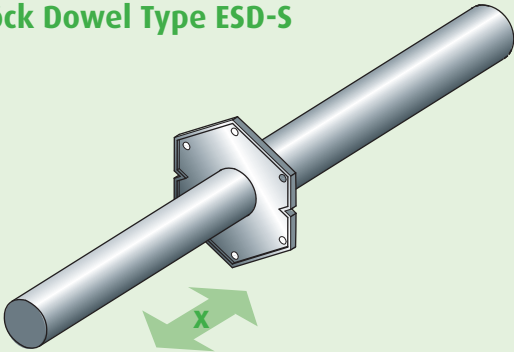


- Fire protection collar for classification of the whole connection as fire class R 90 for 90 minutes

Nationwide Depots

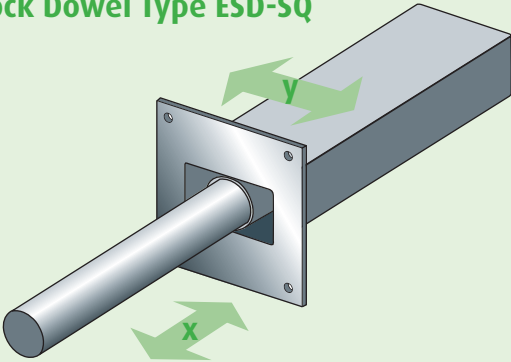
Single Shear Dowel ESD

Schöck Dowel Type ESD-S



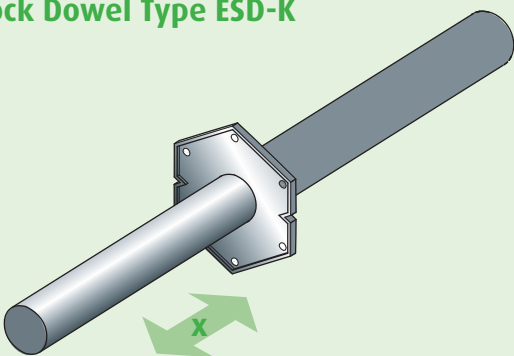
- Single shear dowel for the transfer of shear forces
- Dowel and sleeve made from stainless steel
- Movable in x-direction

Schöck Dowel Type ESD-SQ



- Single shear dowel for the transfer of shear forces
- Dowel and sleeve made from stainless steel
- Movable in x- and y-directions

Schöck Dowel Type ESD-K



- Single shear dowel for the transfer of shear forces
- Dowel made from stainless steel
- Plastic sleeve with fixing plate
- Movable in x-direction

Nationwide Depots

Schöck Dowel Type SLD

Design resistance steel $V_{Rd,s}$

Steel load-bearing capacity of the dowels in concrete

The steel load-bearing capacity of the dowel is of vital importance in components (such as walls, supports etc.) for which concrete failure due to concrete edge fracture or punching can be excluded. This value was determined from the load-bearing capacity of the welded links, weld seams, front plate and dowel.

Steel load capacity of dowel $V_{Rd,s}$ (kN)		Expansion joints (mm)					
		10	20	30	40	50	60
SLD	40	85.0	67.6	50.2	37.6	30.1	25.1
	50	102.5	85.6	66.4	50.1	40.1	33.4
	60	126.6	105.7	84.8	65.0	52.0	43.4
	70	163.1	139.6	116.1	92.6	74.1	61.7
	80	204.3	178.2	152.0	125.9	101.6	84.7
	120	270.7	270.7	253.8	221.6	189.4	158.9
SLD Q	150	372.0	372.0	341.9	305.3	268.7	232.2
	40	76.5	60.8	45.2	33.9	27.1	22.6
	50	94.3	77.0	59.8	45.1	36.1	30.1
	60	113.9	95.1	76.3	58.5	46.8	39.0
	70	146.8	125.6	104.5	83.3	66.7	55.6
	80	183.8	160.3	136.8	113.3	91.5	76.2
	120	270.7	257.4	228.4	199.4	170.5	143.0
150	372.0	340.6	307.7	274.8	241.9	209.0	

Also available:

- [Technical information pack](#)
- [Planning tool downloads](#)
- [Advice and suggested solutions](#)
- [Calculations and detailed drawings](#)



Construction Products Ltd

Nationwide Depots

St Neots	t 01480 702222	f 01480 702223
Airdrie	t 01236 541130	f 01236 541135
Birmingham	t 0121 2893 293	f 0121 2893 294
Bordon	t 01420 200 121	f 01420 200 122
Launceston	t 01566 721011	f 01566 721012
Warrington	t 01925 202 128	f 01925 202 129

Head Office

Hawkesden Road, St Neots, Cambs PE19 1QS
 t 01480 702222
 f 01480 702223

e sales@miersconstructionproducts.co.uk
 www.miersconstructionproducts.co.uk