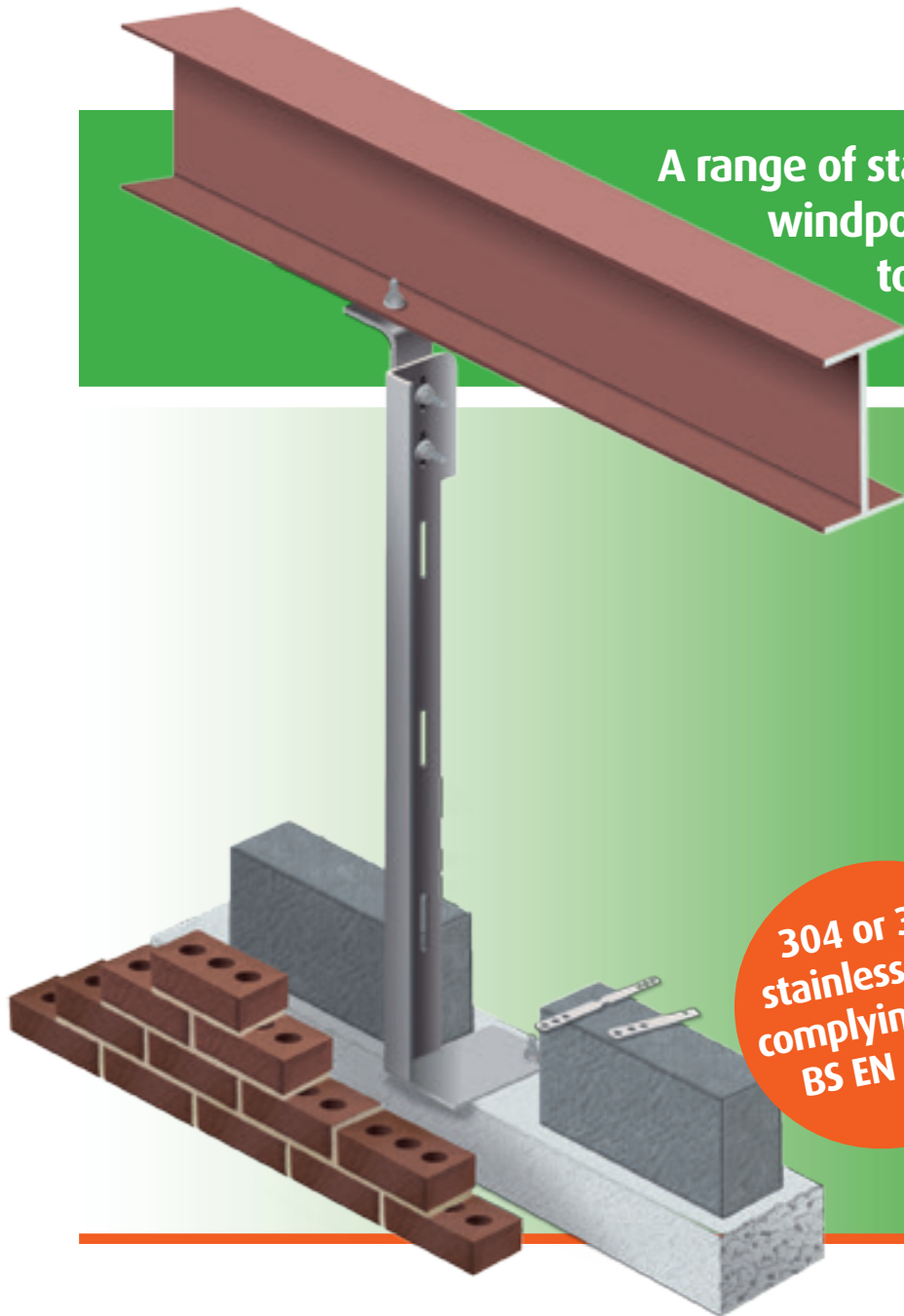


# Windposts

A range of standard and special windposts that span between floors to provide lateral support to brick or blockwork



304 or 316  
stainless steel  
complying with  
BS EN 1088

Improving choice, quality and service

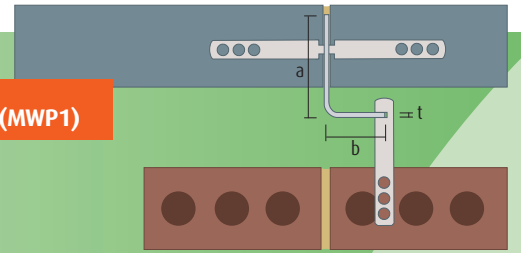
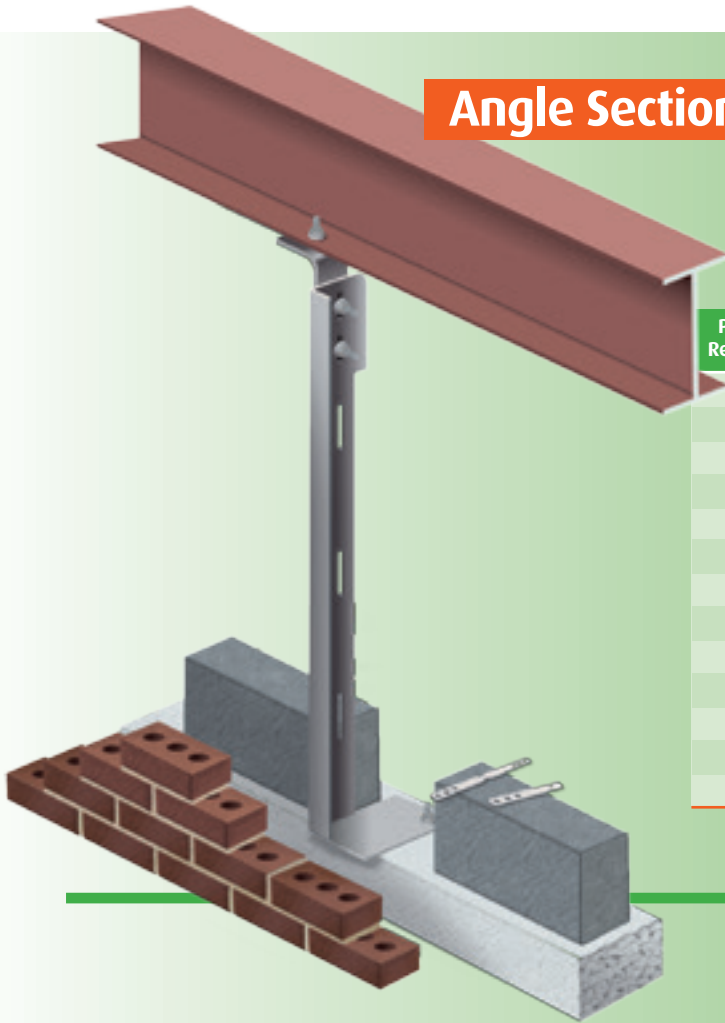


FS 658263

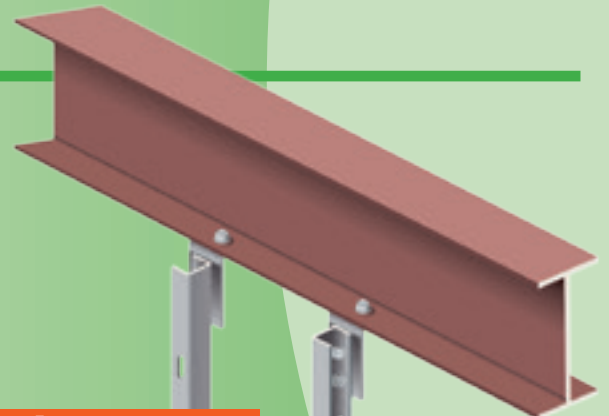
# Standard and special windposts for brick or blockwork



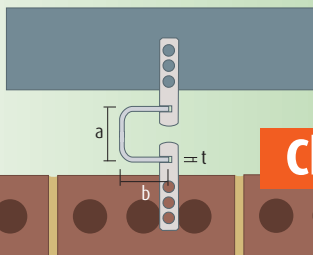
## Angle Section Windpost (MWP1)



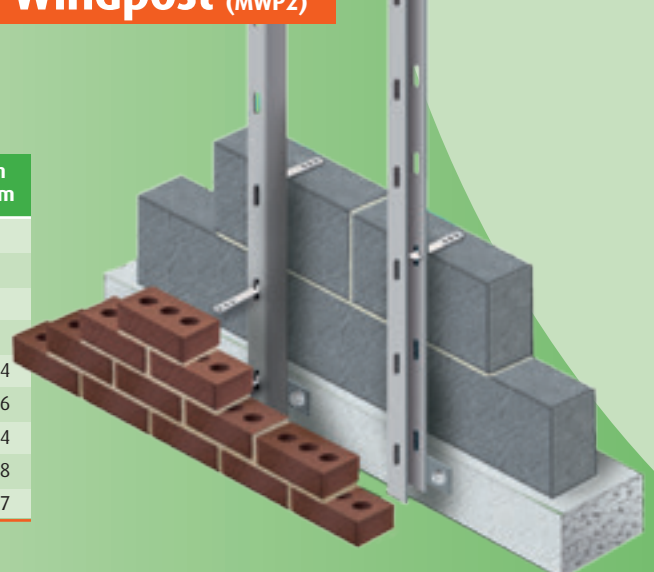
Product Reference	Size (mm) a x b x t	Factored load capacity per post as a UDL per span length								
		2.5m	3.0m	3.5m	4.0m	4.5m	5.0m	5.5m	6.0m	
MWP1	125 x 70 x 4	9.69	7.25	5.57	4.38	3.50	2.86	2.37	2.00	
MWP1	140 x 70 x 4	12.14	9.54	7.41	5.87	4.73	3.88	3.23	2.72	
MWP1	170 x 70 x 4	17.50	14.59	11.88	9.57	7.82	6.47	5.42	4.59	
MWP1	130 x 70 x 5	12.91	10.02	7.76	6.14	4.94	4.04	3.36	2.83	
MWP1	140 x 70 x 5	14.87	12.18	9.54	7.61	6.17	5.07	4.23	3.58	
MWP1	150 x 70 x 5	16.95	14.13	11.38	9.14	7.46	6.16	5.16	4.37	
MWP1	130 x 70 x 6	14.76	11.01	8.43	6.61	5.28	4.30	3.57	3.01	
MWP1	140 x 70 x 6	16.68	12.38	9.45	7.38	5.89	4.80	3.98	3.35	
MWP1	150 x 80 x 6	20.49	16.86	13.22	10.56	8.56	7.04	5.88	4.97	
MWP1	160 x 70 x 6	22.58	18.82	15.22	12.25	10.00	8.26	6.92	5.86	
MWP1	160 x 70 x 8	<b>27.13</b>	24.19	20.11	16.24	13.32	11.05	9.27	7.87	
MWP1	180 x 80 x 8	<b>27.13</b>	26.94	20.83	16.43	13.21	10.80	8.97	7.56	
MWP1	200 x 80 x 8	<b>27.13</b>	<b>32.07</b>	32.76	26.80	22.10	18.43	15.54	13.23	



## Channel Section Windpost (MWP2)

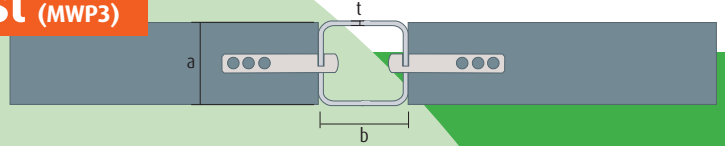


Product Reference	Size (mm) a x b x t	Factored load capacity per post as a UDL per span length								
		2.5m	3.0m	3.5m	4.0m	4.5m	5.0m	5.5m	6.0m	
MWP2	65 x 60 x 4	4.78	3.33	2.45	1.88	-	-	-	-	
MWP2	75 x 60 x 4	6.52	4.55	3.35	2.57	2.03	-	-	-	
MWP2	85 x 60 x 4	8.76	6.16	4.55	3.49	2.76	2.23	1.85	-	
MWP2	75 x 60 x 5	7.83	5.47	4.03	3.09	2.44	1.97	-	-	
MWP2	85 x 60 x 5	10.43	7.32	5.40	4.14	3.27	2.65	2.19	1.84	
MWP2	95 x 60 x 5	13.19	9.32	6.90	5.29	4.19	3.39	2.81	2.36	
MWP2	105 x 60 x 5	<b>16.50</b>	11.86	8.83	6.80	5.39	4.37	3.61	3.04	
MWP2	105 x 60 x 6	<b>16.50</b>	13.66	10.14	7.80	6.18	5.01	4.14	3.48	
MWP2	115 x 60 x 6	<b>16.50</b>	16.56	12.37	9.54	7.57	6.13	5.08	4.27	

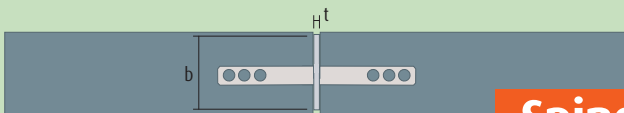
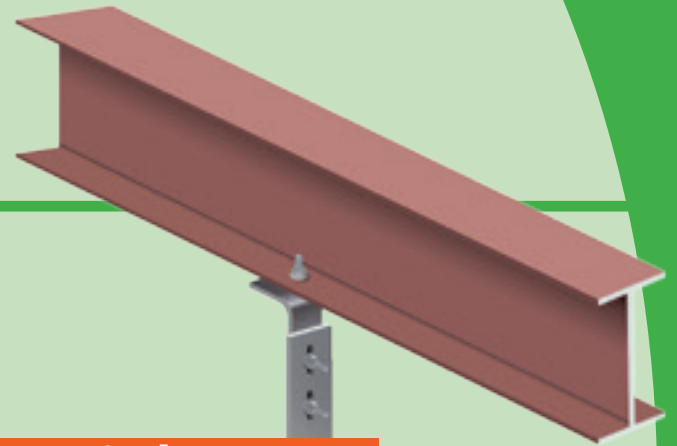


Nationwide Depots

## Box Section Windpost (MWP3)



Product Reference	Size (mm) a x b x t	Factored load capacity per post as a UDL per span length							
		2.5m	3.0m	3.5m	4.0m	4.5m	5.0m	5.5m	6.0m
MWP3	60 x 60 x 4	4.23	2.94	2.16	-	-	-	-	-
MWP3	80 x 60 x 4	8.54	5.98	4.41	3.38	2.67	2.16	-	-
MWP3	100 x 100 x 6	<b>16.50</b>	<b>19.50</b>	15.43	11.86	9.38	7.60	6.29	5.28
MWP3	120 x 120 x 8	<b>16.50</b>	<b>19.50</b>	<b>22.50</b>	<b>25.50</b>	20.84	16.90	13.99	11.76

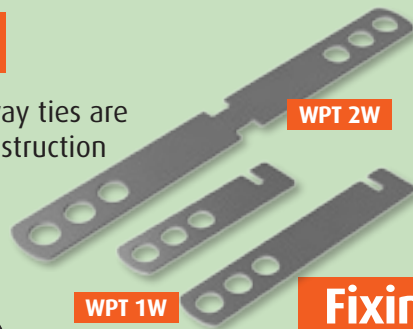
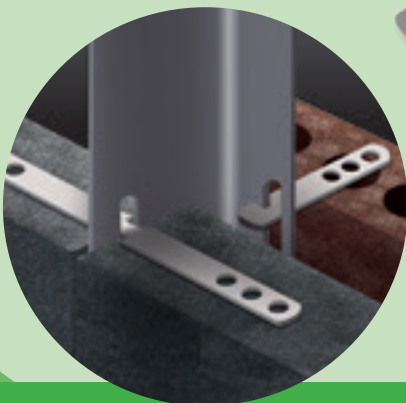


## Spine Section Windpost (MWP4)

Product Reference	Size (mm) b x t	Factored load capacity per post as a UDL per span length							
		2.5m	3.0m	3.5m	4.0m	4.5m	5.0m	5.5m	6.0m
MWP4	95 x 8	5.68	4.02	2.97	2.28	-	-	-	-
MWP4	105 x 8	7.55	5.38	4.00	3.07	2.43	1.97	-	-
MWP4	115 x 8	9.71	6.99	5.22	4.03	3.19	2.59	2.14	-
MWP4	125 x 8	12.17	8.86	6.66	5.15	4.09	3.32	2.75	2.31

## Windpost Ties

A range of one and two way ties are available to suit Miers Construction Products Windposts.



## Fixings

Fixings can be: Concrete to concrete and Concrete to steel.

All windposts are supplied complete with ties and top and bottom fixings.

### PLEASE NOTE:

Tables are based on type 1 wall ties at 225mm c/c with no vertical movement joint.

Angles are taken to have ties on each leg with the long leg restrained by the masonry.

Spine (MWP4) capacities are based on the post being fully restrained by the masonry.

Capacities shown in **bold** are limited by wall tie capacities.

Design is based on stainless steel grade 304.

Deflection is limited to span/360.

# Nationwide Depots

# Miers Group Depots Throughout the UK



Nationwide  
supply of building  
accessories...

...we offer

- Independently run business
- Nationwide coverage
- Commitment to the highest standard of service
- A unique level of expertise & experience

Call Miers on

**St Neots** 01480 702222  
**Airdrie** 01236 541130  
**Birmingham** 0121 2893 293  
**Bordon** 01420 200121  
**Launceston** 01566 721011  
**Warrington** 01925 202128

Iss 2 July 2019

**MIERS** 

Construction Products Ltd

**Head Office**

Hawkesden Road, St Neots, Cambs PE19 1QS

**t** 01480 702222

**f** 01480 702223

**e** [sales@miersconstructionproducts.co.uk](mailto:sales@miersconstructionproducts.co.uk)

[www.miersconstructionproducts.co.uk](http://www.miersconstructionproducts.co.uk)